

Type	CPAP	Auto-CPAP	Auto Bi-level
Model	C-20C	C-20A	B-25A
Respiratory mode	CPAP	CPAP、APAP	CPAP、S、AutoB
<b>Parameters</b>			
Pressure	4-20cmH <sub>2</sub> O	4-20cmH <sub>2</sub> O	4-20cmH <sub>2</sub> O
Islop	-	-	1-6 Level
95th Pressure titration	-	Available	Available
Max PS	-	-	3-8cmH <sub>2</sub> O
Max Press	-	4-20cmH <sub>2</sub> O	-
Min Press	-	4-20cmH <sub>2</sub> O	-
IPAP	-	-	4-25cmH <sub>2</sub> O
EPAP	-	-	4-23cmH <sub>2</sub> O
Max IPAP	-	-	4-25cmH <sub>2</sub> O
Min EPAP	-	-	4-23cmH <sub>2</sub> O
Auto-On	On/Off	On/Off	On/Off
Auto-Off	On/Off	On/Off	On/Off
Humidifier	0-5levs	0-5levs	0-5levs
Auto-air compensation	Available	Available	Available
Auto-adjustment altitude	Available	Available	Available
Noise Level	Less than 30dBA	Less than 30dBA	Less than 30dBA
<b>Configuration</b>			
Screen	3.5"Colorful LCD	3.5"Colorful LCD	3.5"Colorful LCD
SpO2 Kit	Optional	Optional	Optional
Data Storage	TF Card	TF Card	TF Card
Dimension	280*200*112mm	280*200*112mm	280*200*112mm
Weight	2.2Kg	2.2Kg	2.2Kg



**ResPlus**  
 CPAP/APAP series  
 For Sleep Apnoea Therapy

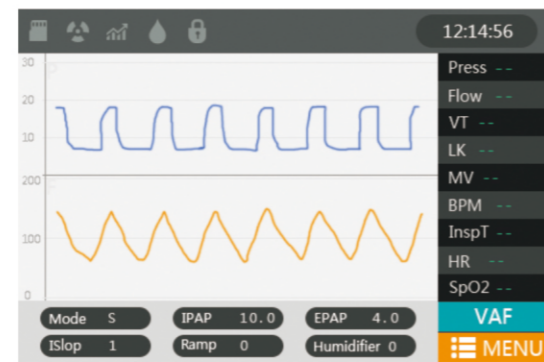
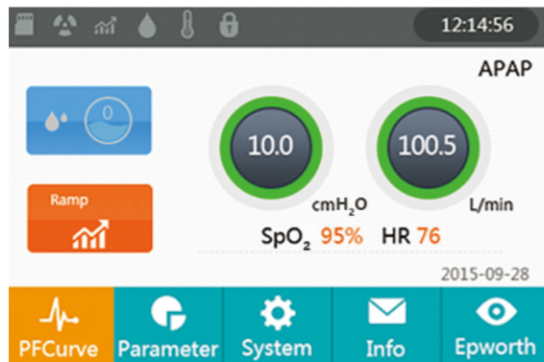


Scan to know more



**BYOND 比扬医疗**  
 Service call: 400-066-7111  
 Add: Beyond Zone, Lijiacun Rd, Xueshi Street,  
 Yuelu District, 410208 Changsha, China

**BYOND 比扬**  
 Pioneer in Life Science



### 3.5" Colorful LCD screen

Provide vivid information in one page and more legibility; User interface design to enable easier operation and fast-setup.

### Real-time data monitoring

Effective therapy is ensured by displaying important data in real time, like pressure, flow volume, etc.

### SpO2 supervisor

SpO2 Kit are optional to manage SpO2 data in real time.

### Lower dBA

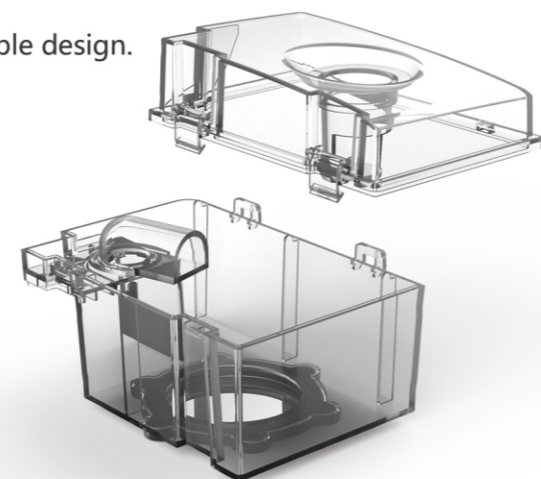
Less noise achieved by high-quality blower.

### Heating Humidifier

5 Temperature levels for humidifier are available; Designed to prevent back flow and be detachable to clean easily.

### Separable design for host and humidifier

Flexible choices for therapy place are allowed by separable design.



## ResPlus C-20C MODE: CPAP

### Pressure relief technology

Reduce the pressure when exhale is happening to maximize your comfort during the therapy.

### Air leak compensation

Accurately detect the air leakage and timely respond to it.

### Pressure compensation

Automatically suit to different pressure situations.

## ResPlus C-20A MODE: APAP, CPAP

### Accurate identification

Imported sensor collaborates with innovative algorithm to identify various respiratory events precisely and to make quick response.

### Auto-adjusting pressure

Automatically adjust the pressure to optimal level in accordance with relative respiratory events.

### Pressure titration

Recommend the best suitable therapeutic pressure in consistent with patient's actual needs.

### A variety of Alerts

Safer use is ensured by alerts, including power failure, air leakage, humifailure, ect.

## ResPlus B-25A MODE: CPAP, S, AutoB (Customized & Intelligent)

### Auto Bilevel

Auto-adjustment of IPAP and EPAP in accordance with patient's respiratory events.

### Auto-sensibility

Isens and Esens are automatically adopted to individual's treatment.

