

Model	B-25T	B-30T	B-30P
Respiratory mode	CPAP、S/T、S、T	CPAP、S/T、S、T	CPAP、S/T、S、T、APCV
<b>Parameters</b>			
IPAP	4-25cmH <sub>2</sub> O	4-30cmH <sub>2</sub> O	4-30cmH <sub>2</sub> O
EPAP	4-23cmH <sub>2</sub> O	4-25cmH <sub>2</sub> O	4-25cmH <sub>2</sub> O
Isens	Auto、1-6 level	Auto、1-6 level	Auto、1-6 level
Esens	Auto、1-6 level	Auto、1-6 level	Auto、1-6 level
Islop	1-6 level	1-6 level	1-6 level
InspTime	0.5-4s	0.5-4s	0.5-4s
Max-InspTime	0.5-4s	0.5-4s	0.5-4s
Min-InspTime	0.5-4s	0.5-4s	0.5-4s
BPM	3-40bpm	3-40bpm	3-40bpm
VAF settings	-	-	Available
Target VT	-	-	50-2000ml
Ramp	0-60min	0-60min	0-60min
Auto-On	On/Off	On/Off	On/Off
Auto-Off	On/Off	On/Off	On/Off
Auto-air compensation	Yes	Available	Available
Auto-adjustment altitude	Yes	Available	Available
Noise Level	≤30dBA	≤30dBA	≤30dBA
Humidifier	0-5 level	0-5 level	0-5 level
<b>Configuration</b>			
Screen	3.5" colorful LCD	3.5" colorful LCD	3.5" colorful LCD
SpO2 Kit	Optional	Optional	Optional
Data storage	TF card	TF card	TF card
Dimension	280*200*112mm	280*200*112mm	280*200*112mm
Weight	2.2Kg	2.2Kg	2.2Kg



## ResPlus BPAP Series

For OSAHS & Respiratory insufficient patients



Scan to know more



**BYOND 比扬医疗**  
Service call: 400-066-7111  
Add: Beyond Zone, Lijiacun Rd, Xueshi Street,  
Yuelu District, 410208 Changsha, China

**BYOND 比扬**  
Pioneer in Life Science

### 3.5" colorful LCD screen

Provide vivid information in one page and more legibility;  
User interface design to enable fast-setup.

### Real-time data monitoring

Track the monitoring treatment data in real time.

### Master core-technology

Imported Swiss pressure sensor cooperates with innovative algorithm to fulfill greater sensibility.

### Dial Design

Rotate one key to complete various operations.

### Lower dBA

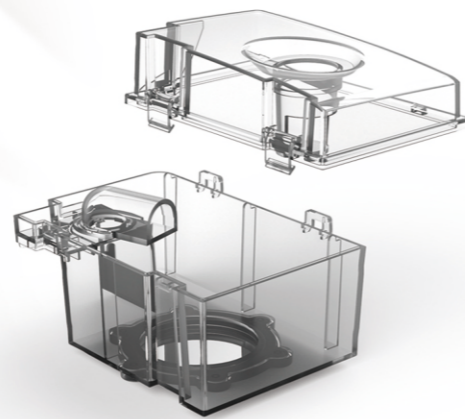
Less noise achieved by high-quality Blower.

### Separable design for host and humidifier

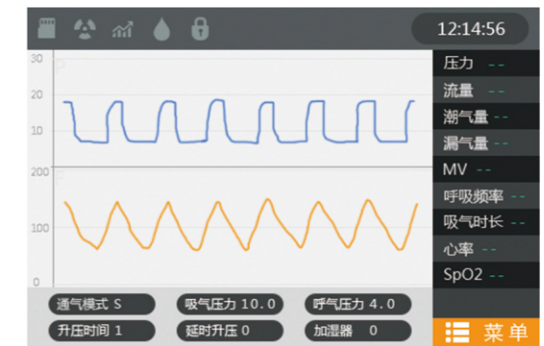
Flexible choices for therapy place are allowed by separable design.

### Heating Humidifier

5 temperature levels for humidifier are available; Designed to prevent back flow and be detachable to clean easily.



Main interface



Data monitoring interface

### Multiple respiratory modes

CPAP、S、T、ST、APCV suitable for various respiratory insufficient patients.

### Auto-sensibility

Isens and Esens are automatically adopted to individual's treatment.

### VAF

Maintain a target tidal volume to meet patients' needs.

### A variety of Alerts

Safer use is ensured by alerts, including power down, air leakage, high/low pressure, ect.

### InspTime limitation

User can choose a period of time to inhale by setting the max- and min-InspTime, which ensures effective treatments.

